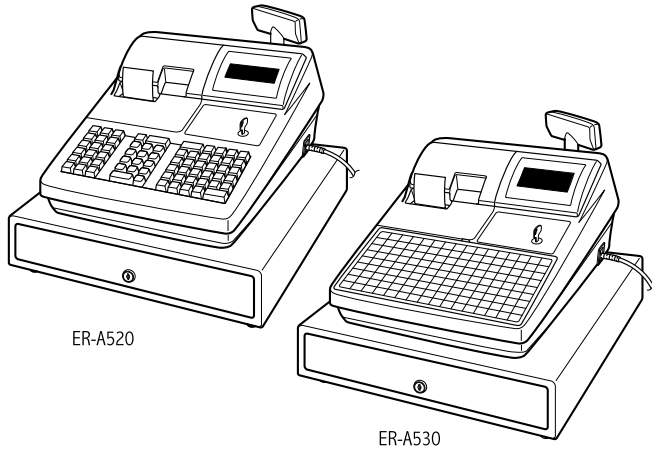


SHARP PARTS GUIDE

CODE : 00ZERA520UPGE



ER-A520 MODEL ER-A530

PRINTER : PR-58HM

(U/A version)

CONTENTS

- 1 Top cabinet etc.(ER-A520)
 - 2 Top cabinet etc.(ER-A530)
 - 3 Bottom cabinet etc.
 - 4 Drawer box unit(SK-423 type)
 - 5 Packing material & Accessories
 - 6 Main PWB unit
 - 7 Key I/F PWB unit
 - 8 CN I/F PWB unit
 - 9 Pop up PWB unit
 - 10 Articles for consumption
 - 11 Service options & Service tools
- index

Parts marked with "△" are important for maintaining the safety of the set. be sure to replace these parts with specified ones for maintaining the safety and performance of the set.

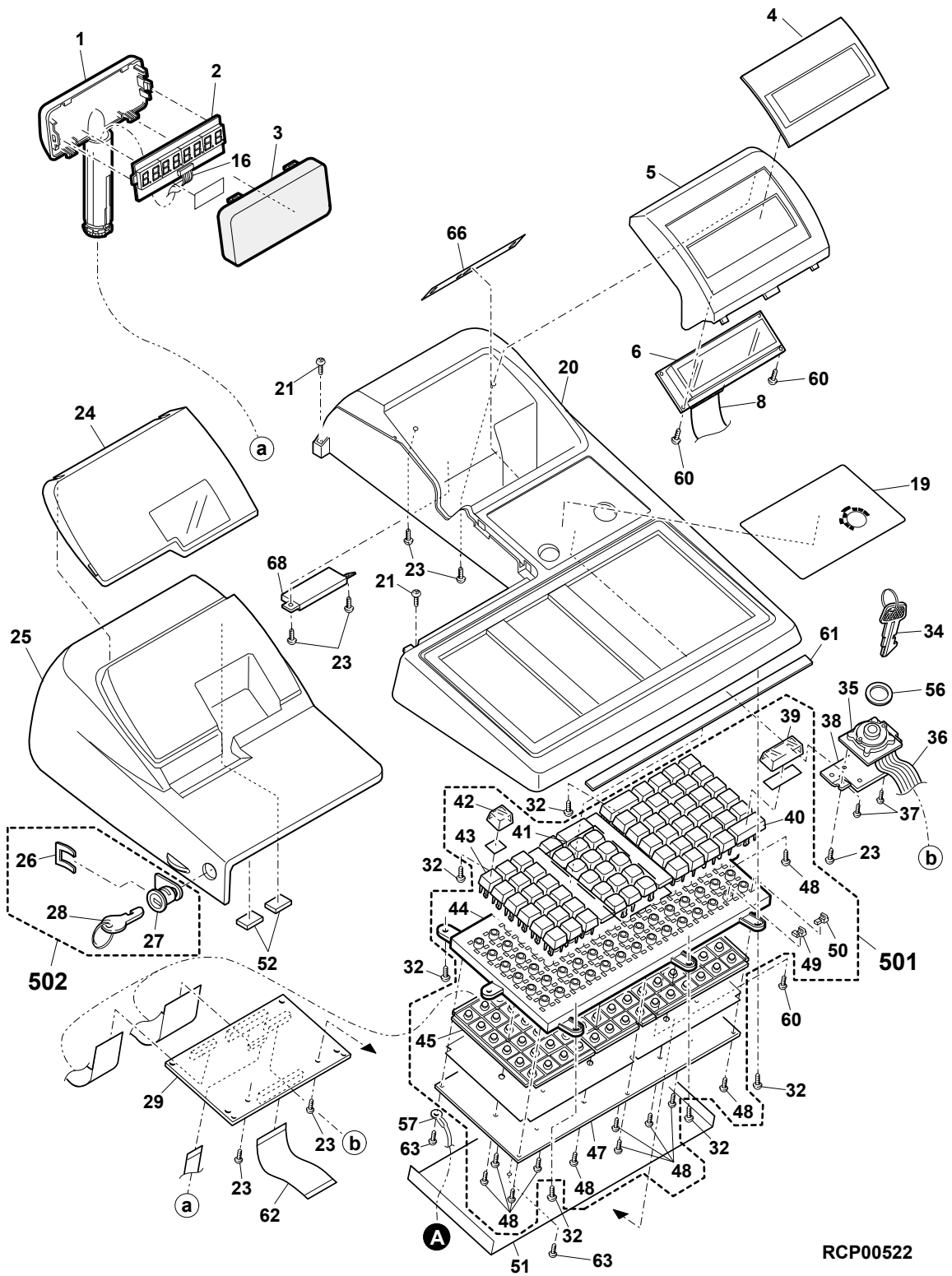
SHARP CORPORATION

This document has been published to be used for after sales service only.
The contents are subject to change without notice.

1 Top cabinet etc.(ER-A520)

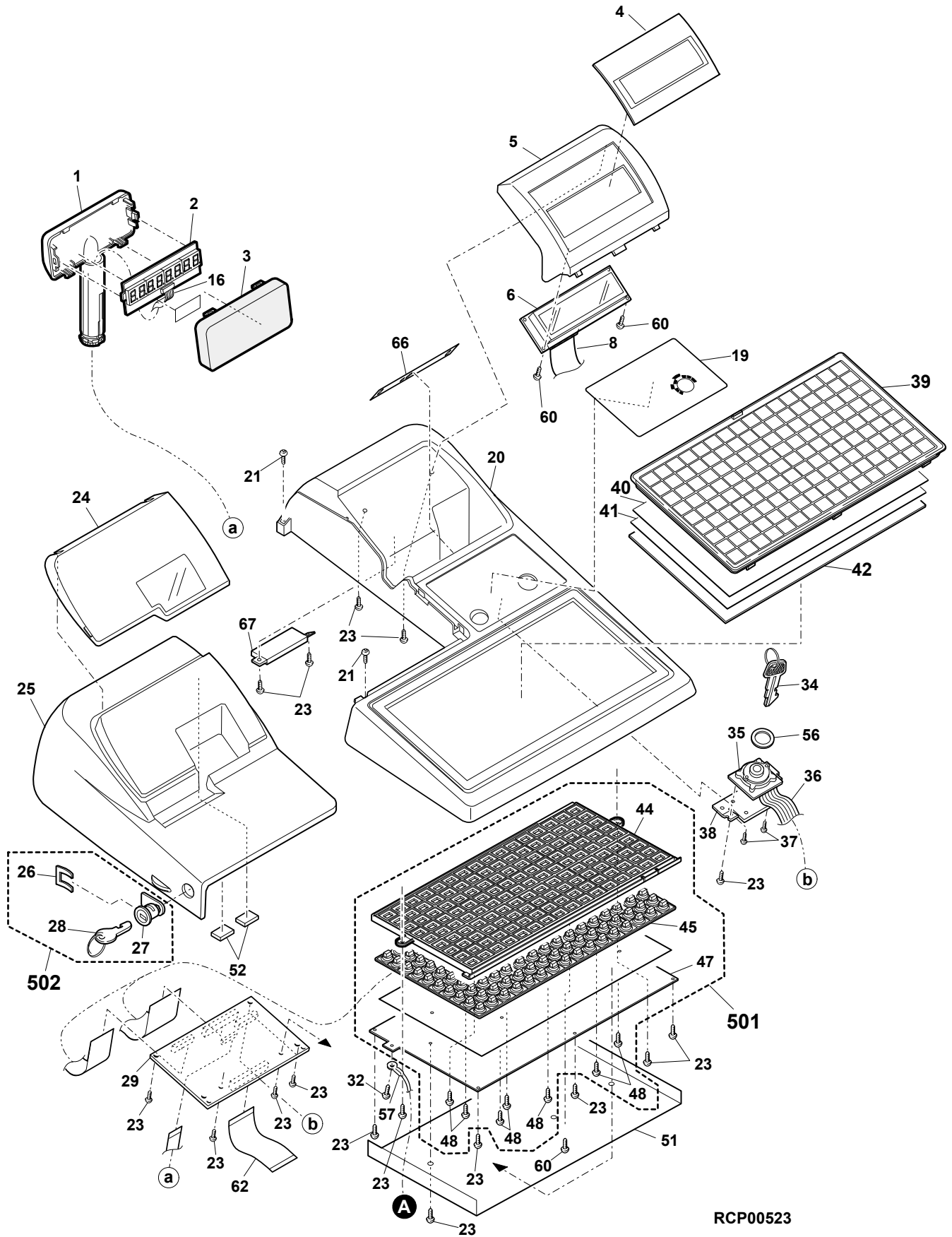
NO.	PARTS CODE	PRICE RANK	NEW MARK	PART RANK	DESCRIPTION	
1	CCABB7861BHZZ	AR		D	Pop up cabinet	
2	CPWBF2928BH02	BB		E	Pop up PWB unit	
3	PFI LW6961BHSL	AQ	N	D	Pop up filter	
4	HPNLH2501BHZZ	AX	N	D	LCD panel	
5	GCOVA2608BHZZ	AS	N	D	LCD cover	
6	DUNTK4595RCZZ	BM		E	LCD unit(M286)	
8	QCNW-3362BHZZ	AS	N	C	LCD cable(16P)	
16	QCNW-3373BHZZ	AP	N	C	Pop up cable	
19	HPNLC6829BHSM	AN	N	D	Deco panel	[U]
	HPNLC6829BHSD	AN	N	D	Deco panel	[A]
20	CCABB2558BHZZ	BF	N	D	Top cabinet	
21	XBBSC30P06000	AA		C	Screw(3x6)	
23	XEBSD30P08000	AA		C	Screw(3x8)	
24	PFI LW2006BHSA	AV		D	TH_Journal filter	
25	GCOVA2514BHZA	BA		D	Printer cover	
26	MSPRK6730BHZZ	AC		C	Lock spring	
27	LKGIW7355BHZZ	AX		B	Lock(body)	
28	LKGI M7356BHZZ	AK		B	Printer cover lock key	
29	CPWBF3027BH01	BC	N	E	Key I/F PWB unit	
32	XEBSD30P10000	AA		C	Screw(3x10)	
34	LKGI M7110BHZZ	AE		B	MA key(MA)	
	LKGI M7111BHZZ	AE		B	OP key(OP)	
	LKGI M7129BHZZ	AE		B	SM key(SM)	
35	LKGI W0001BHZA	AS		B	Mode sw(body)	
36	QCNW-3117BHZZ	AG		C	Mode sw cable	
37	XUPSD23P08000	AA		C	Screw(2.3x8)	
38	LANGT7582BHZZ	AL		C	Mode SW angle	
39	JKNBZ6899BHSA	AK		C	Key cap(1x2)	
40	JKNBZ6898BHZZ	AH		C	Key top(1x2)	
41	JKNBZ6908BHZZ	AK		C	Key top(.)	
	JKNBZ6909BHZZ	AK		C	Key top(X)	
	JKNBZ6911BHZZ	AK		C	Key top(1)	
	JKNBZ6912BHZZ	AK		C	Key top(2)	
	JKNBZ6913BHZZ	AK		C	Key top(3)	
	JKNBZ6914BHZZ	AK		C	Key top(4)	
	JKNBZ6915BHZZ	AK		C	Key top(5)	
	JKNBZ6916BHZZ	AK		C	Key top(6)	
	JKNBZ6917BHZZ	AK		C	Key top(7)	
	JKNBZ6918BHZZ	AK		C	Key top(8)	
	JKNBZ6919BHZZ	AK		C	Key top(9)	
JKNBZ6905BHZZ	AF		C	Key top(0)		
JKNBZ6920BHZZ	AK		C	Key top(00)		
JKNBZ6907BHZZ	AK		C	Key top(CL)		
42	JKNBZ6897BHSA	AH		C	Key cap(1x1)	
43	JKNBZ6896BHZA	AG		C	Key top(1x1)	
44	LFRM-6697BHZZ	BA		D	Key frame	
45	PGUMM6724BHZZ	AY		C	Key rubber	
47	LPLTM6698BHZZ	AV		C	Base plate	
48	XEBSD30P08000	AA		C	Screw(3x8)	
49	LHL DZ6837BHZZ	AE		C	Holder L(WHITE)	
50	LHL DZ6836BHZZ	AE		C	Holder R(YELLOW)	
51	PSHEP2925BHZZ	AR		C	Water sheet	
52	PSHEP2928BHZZ	AF		C	Printer cover sheet	
56	PCUSS2421BHZZ	AC		C	Mode sw cushion	
57	QCNW-3137BHZZ	AE		C	Earth wire	
60	XJPSD30P08000	AA		C	Screw(3x8)	
61	PCUSS2419BHZZ	AH		C	Keyboard cushion	
62	QCNW-3188BHZZ	AR		C	Flat cable(40P,1.25mmPitch,MAIN-KEY)	
63	XJPSD30P06000	AA		C	Screw(3x6)	
66	PSHEP2939BHZZ	AG		C	Top cab sheet	
67	GCOVH2609BHZZ	AL	N	D	Cable cover	
101	TLABH2699BHZZ	AY	N	D	Key label	
501	KI-OK2368BH03	BP	N	E	Keyboard(NORMAL)	[include No.39-50,101]
502	DUNT-1817BHZZ	AY		E	Lock key unit(Printer)	[include No.26-28]

1 Top cabinet etc.(ER-A520)



RCP00522

2 Top cabinet etc.(ER-A530)

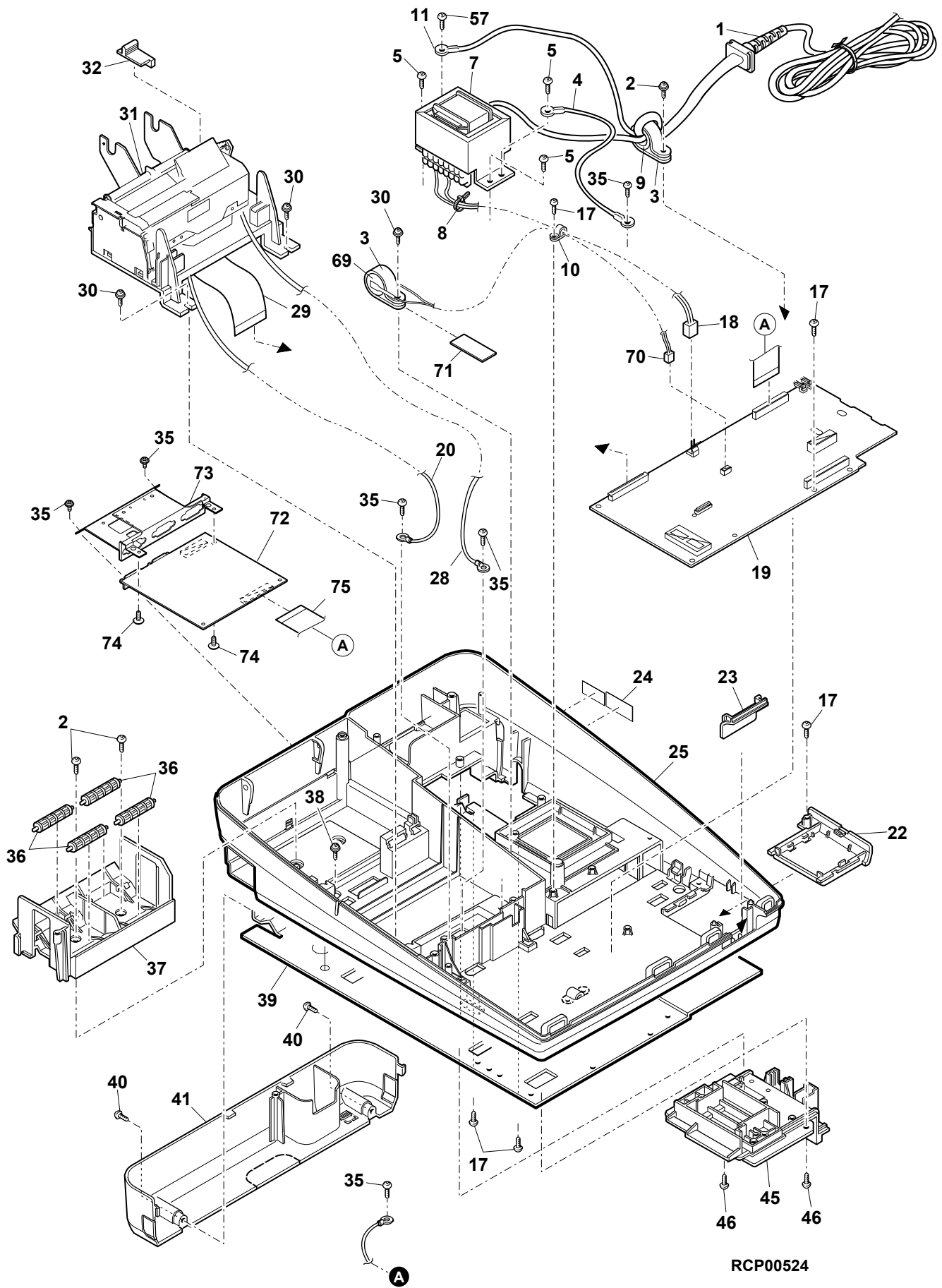


RCP00523

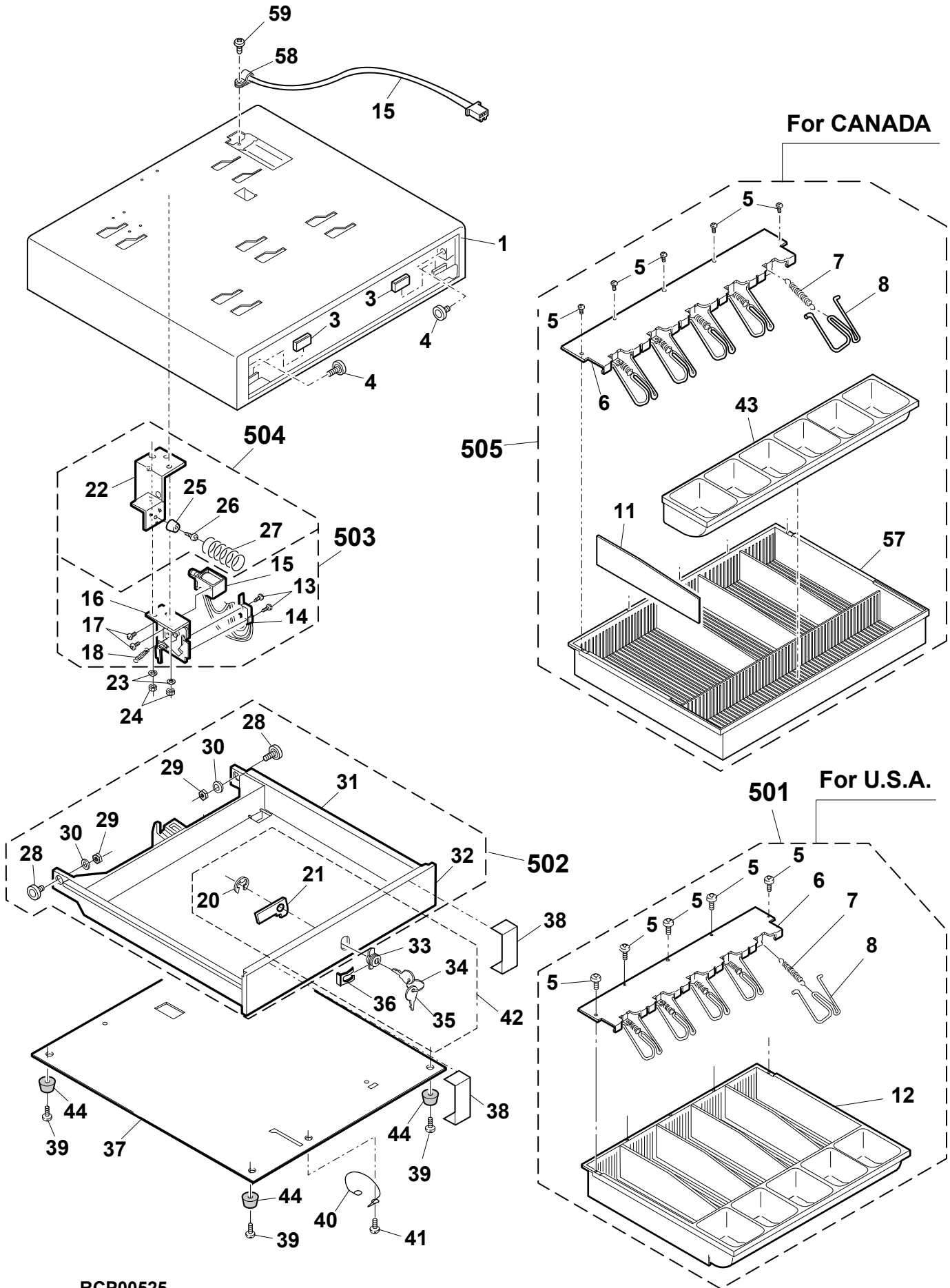
3 Bottom cabinet etc.

NO.	PARTS CODE	PRICE RANK	NEW MARK	PART RANK	DESCRIPTION
△ 1	QACCD2002BHZZ	AT		B	AC cord(SP-035)(YELLOW-GREEN)
2	LX-BZ1085CCZZ	AA		C	Screw(3×8)
3	LBNDJ6636BHZZ	AD		C	Battery band(CORE)
4	QCNW-7768BHZZ	AE		C	Earth wire
5	XUBSD40P08000	AA		C	Screw(4×8)
△ 7	RTRNP2436BHZZ	BE		B	Power transformer
8	LBNDJ2003SCZZ	AA		C	Cable band
9	RCORF6696BHZZ	AL		C	Core(TC28A152B)
10	LHLDW0006SCZZ	AB		C	Cable holder(3N)
11	QTANP0004BHZA	AE		C	Earth terminal(GP20076-U)
17	XEBSD30P08000	AA		C	Screw(3×8)
18	QCNW-7752BHZZ	AH		C	PS cable
19	CPWBN3026BH01	CC	N	E	Main PWB unit
20	QCNW-7904BHZZ	AE		C	Earth wire
22	GCOVA7105BHSA	AL		D	ROM/RAM case
23	GCOVA7107BHSC	AH		D	Clerk cover A
24	TCAUZ2002BHZZ	AF		D	Caution label
25	GCABA7216BHZG	BK	N	D	Bottom cabinet
28	QCNW-7122RCZZ	AD		C	Earth wire
29	QCNW-7898BHZZ	AP		C	Flat cable(printer cable)(PR 40P)
30	XJP3SD30P12X00	AB		C	Screw(3×12X)
31	Ki-OB2009BHZZ	CA		E	Printer unit(PR-58HM)
32	MLEVP6715BHZZ	AF		C	Stopper
35	XHP3SD30P06K00	AA		C	Screw(M3×6K)
36	NRÖLP6656BHZZ	AF		C	Roller
37	LPLTP2362BHZZ	AR		C	Paper plate
39	LCHSM6704BHZA	AZ		C	Main chassis
40	XBBSC30P20000	AA		C	Screw(3×20)
41	GCOVA7104BHZA	AX		D	Rear cover
45	GCOVH7106BHZB	AU		D	Trans cover
46	XUPSD40P12000	AA		C	Screw(M4×12)(M)
57	XBPSD40P06K00	AA		C	Screw(4×6K)
△ 69	UBATZ6661BHZZ	AS		B	Battery(Ni-MH)
70	QCNW-7880BHZZ	AF		C	Battery cable
71	PCUSG7017BHZZ	AC		C	Battery cushion
72	CPWBF3028BH01	BB	N	E	CN I/F PWB unit
73	LANGT7466BHZE	AP	N	C	Option PWB angle
74	LX-BZ6782BHZZ	AA		C	Screw(3×6)
75	QCNW-7807BHZZ	AN		C	PR flat cable(31p)

3 Bottom cabinet etc.



4 Drawer box unit(SK-423 type)

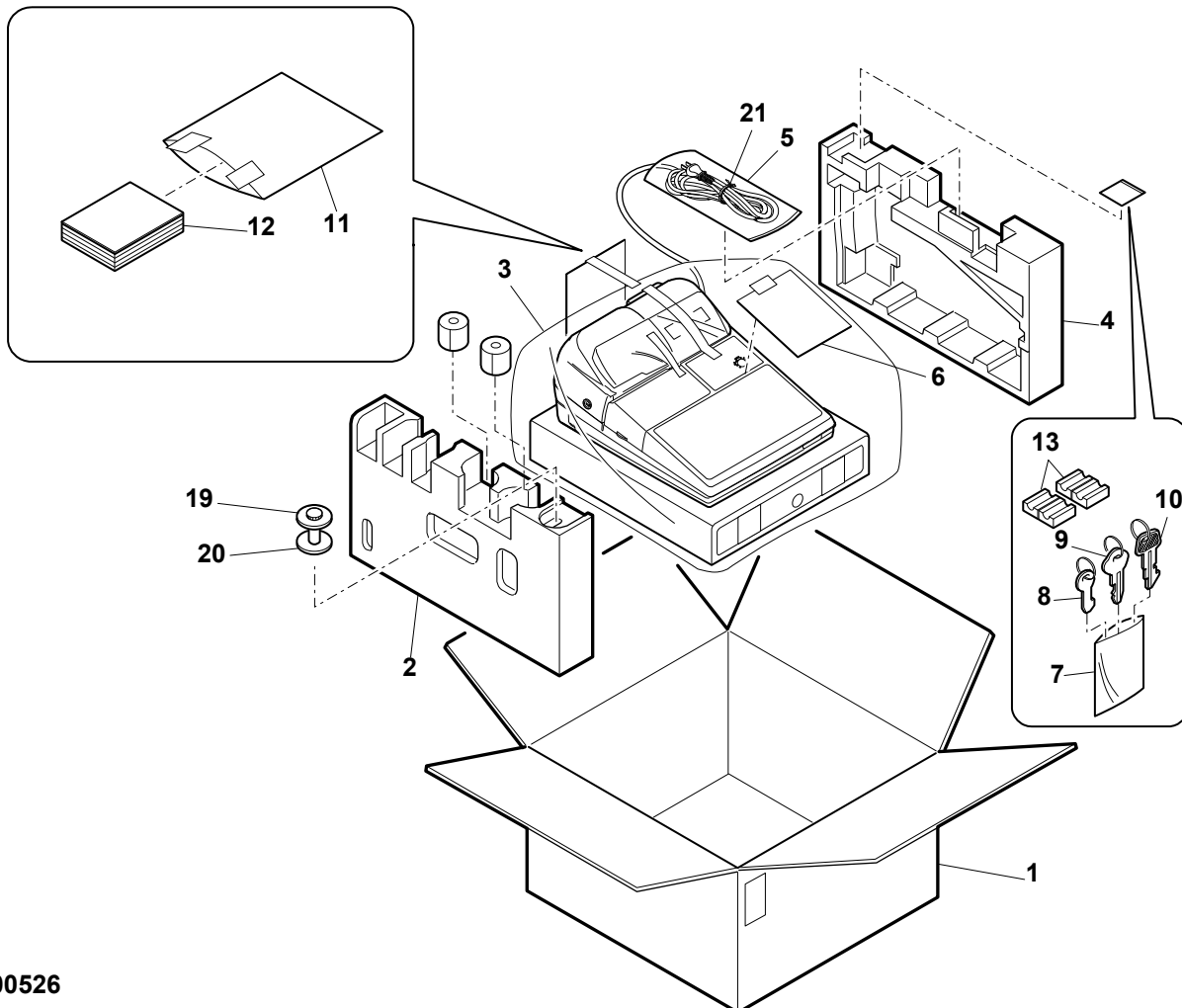


RCP00525

5 Packing material & Accessories

NO.	PARTS CODE	PRICE RANK	NEW MARK	PART RANK	DESCRIPTION	
1	SPA KC 3 1 5 7 B H S H	BC	N	D	Packing case	[ER-A520U]
	SPA KC 3 1 5 7 B H S J	BC	N	D	Packing case	[ER-A520A]
	SPA KC 3 1 5 7 B H S I	BC	N	D	Packing case	[ER-A530U]
	SPA KC 3 1 5 7 B H S K	BC	N	D	Packing case	[ER-A530A]
2	SPA KA 3 1 5 9 B H Z L	AR		D	Packing add L	
3	PSHEP 6 6 8 1 B H Z Z	AF		C	Packing sheet	
4	SPA KA 3 1 5 8 B H Z R	AR		D	Packing add R	
5	SSAKH 4 2 3 1 C C Z Z	AA		D	Vinyl bag(140×500mm)	
6	TCADH 6 7 8 8 B H Z A	AC		D	Caution card(Black)	
7	SSAKH 3 0 1 2 C C Z Z	AA		D	Vinyl bag(80×120mm)	
8	LKG i M 7 3 5 6 B H Z Z	AK		B	Printer cover lock key	
9	LKG i M 7 3 3 1 B H Z Z	AE		B	Lock key(1pc)	
10	LKG i M 7 1 1 0 B H Z Z	AE		B	MA key(MA)	
	LKG i M 7 1 1 1 B H Z Z	AE		B	OP key(OP)	
	LKG i M 7 1 2 9 B H Z Z	AE		B	SM key(SM)	
11	SSAKH 3 0 1 5 C C Z Z	AA		D	Vinyl bag(200×300mm)	
12	T i N S E 2 5 2 9 B H Z Z	AQ	N	D	Instruction book	[U]
	T i N S K 2 5 3 0 B H Z Z	AT	N	D	Instruction book	[A]
13	R C O R F 6 7 0 0 B H Z Z	AS		C	Core(BNF-14)	
19	N G E R H 2 0 0 4 B H Z Z	AM		C	Spool	
20	P G i D H 2 3 9 4 B H Z Z	AK		C	G/wheel	
21	U B N D A 6 6 3 0 B H Z Z	AK		C	AC cord band(4mm×200mm)(Green)	

5 Packing material & Accessories



RCP00526

6 Main PWB unit

NO.	PARTS CODE	PRICE RANK	NEW MARK	PART RANK	DESCRIPTION
1	LX-BZ2189BHZZ	AA		C	Screw [Q6(for HEAT SINK)]
2	PRDAF2374BHZZ	AM		C	Heat sink [Q6]
3	PRDAF2385BHZZ	AM	N	C	Heat sink(PQ1CG2052FZ) [IC26]
4	QCNCM1101BHZZ	AC		C	Connector(5273-2)(2P) [CN8]
5	QCNCM3099BHZZ	AD	N	C	LCD Connector(16P)(C03-16BF1) [CN2]
6	QCNCM3104BHZZ	AB	N	C	Short pin(3P)(LHY-035-B-4.5/3) [SP1,S1]
7	QCNCM5278NCZZ	AC		C	Connector(5046-03A) [CN6,CN7]
8	QCNCM7207BH4J	AQ		C	Connector(40P)(6229ZIF DIP) [CN5]
9	QCNCW2885BHZZ	AQ		C	Option RAM stack connector(35774-4050) [CN4]
10	QCNCW2946BHZZ	AL		C	Key relay connector(40p)(52045-4045) [CN1]
11	QCNCW3103BHZZ	AB	N	C	Short socket(PHJ-SB-B) [SP1,S1]
12	QCNCW5111BH3A	AH	N	C	Connector(PR)(31P)(52045-3145) [CN3]
13	QCNCW7081BHZZ	AB		C	Connector(2P)(5267-02A)(Blue) [CN9]
14	QFS-B0322QCZZ	AC		A	Fuse(UL125V 3.15A) [F4]
15	QFSHD2109AFZZ	AC		C	Fuse holder(HD2109AF) [F4]
16	QFS-K2005BHZZ	AF		A	Fuse(LT-5 T400mA/250V) [F3]
17	QFS-K2007BHZZ	AF		A	Fuse(LT-5,T500mA/250V) [F2,F7]
18	QFS-K2008BHZZ	AF		A	Fuse(LT-5,T2.0A/250V) [F5]
19	QFS-K2009BHZZ	AF		A	Fuse(T1.6A/250V(LT-5)) [F1]
20	QFS-K2315BHZZ	AF		A	Fuse(LT5 T1.0A/250V) [F6]
21	QSO CZ2042SC32	AE		C	IC socket(32pin) [IC10]
22	RALMB6646BHZZ	AQ		B	Buzzer(RALMB6646BHZA) [BZ1]
23	RC-EZ106ARC1A	AD		C	Capacitor(10WV 10μF) [C1,C52]
24	RCILC6653BHZZ	AS		C	Choke coil(180μH) [L1,L2]
25	RCORF2337BHZZ	AN		C	Ferrite core(BFR601009C8NG) [FB1,FB2,FB28,FB29,FB30,FB31]
26	RCORF7002BHZZ	AE		C	Chip core(EFCB322513TS) [FB3,FB4,FB5,FB6,FB7,FB8]
	RCORF7002BHZZ	AE		C	Chip core(EFCB322513TS) [FB9,FB10,FB11,FB12,FB13]
	RCORF7002BHZZ	AE		C	Chip core(EFCB322513TS) [FB14,FB15,FB16,FB17,FB18]
	RCORF7002BHZZ	AE		C	Chip core(EFCB322513TS) [FB19,FB20,FB21,FB22,FB23]
	RCORF7002BHZZ	AE		C	Chip core(EFCB322513TS) [FB24,FB25,FB26,FB27]
27	RCRSP6676RCZZ	AG		B	X-TAL(32.768KHz) [X1]
28	RCRSZ2400RCZZ	AH		B	X-TAL(12MHz) [X2]
29	VCCCCY1HH101J	AA		C	Capacitor(50WV 100pF/1608Type/CH) [C4,C5,C6,C7,C8,C9,C10]
	VCCCCY1HH101J	AA		C	Capacitor(50WV 100pF/1608Type/CH) [C11,C12,C13,C14,C15,C16]
	VCCCCY1HH101J	AA		C	Capacitor(50WV 100pF/1608Type/CH) [C17,C18,C19,C20,C21,C22]
	VCCCCY1HH101J	AA		C	Capacitor(50WV 100pF/1608Type/CH) [C23,C33,C34,C35,C36,C76]
	VCCCCY1HH101J	AA		C	Capacitor(50WV 100pF/1608Type/CH) [C80,C84,C138,C139,C140]
30	VCCCCY1HH180J	AA		C	Capacitor(50WV 18pF) [C39]
31	VCCCCY1HH270J	AA		C	Capacitor(50WV 27PF) [C40]
32	VCCCCY1HH330J	AA		C	Capacitor(50WV 33pF) [C24,C25,C26,C27,C28,C29]
	VCCCCY1HH330J	AA		C	Capacitor(50WV 33pF) [C30,C31,C37,C38]
33	VCCCCY1HH331J	AB		C	Capacitor(50WV 330pF) [C32,C41,C43,C45,C46,]
	VCCCCY1HH331J	AB		C	Capacitor(50WV 330pF) [C47,C48,C49,C54,C83,C88]
34	VCCCCY1HH471J	AA		C	Capacitor(50WV 470pF) [C109]
35	RC-EZ226ARC1C	AG		C	Capacitor(16WV 22μF) [C79]
36	VCEAGA1CW106M	AA		C	Capacitor(16WV 10μF) [C2]
37	VCEAGA1CW226M	AB		C	Capacitor(22μF/16V) [C81,C95,C136,C137]
38	VCEAGA1CW337M	AB		C	Capacitor(16WV 330μF) [C131]
39	VCEAGA1CW476M	AB		C	Capacitor(16WV 47μF) [C132]
40	VCEAGA1HW106M	AA		C	Capacitor(50WV 10μF) [C55,C58,C61,C64,C66,C72,C74]
	VCEAGA1HW106M	AA		C	Capacitor(50WV 10μF) [C77,C87,C93,C94,C100,C112]
41	VCEAGA1HW227M	AC		C	Capacitor(50WV 220μF) [C133]
42	VCEAGD1CW108M	AE		C	Capacitor(16WV 1000μF) [C130]
43	VCEAGU1HC688M	AY		C	Capacitor(50WV 6800μF) [C127]
44	VCEAGU1VW228M	AG		C	Capacitor(35WV 2200μF) [C92,C128]
45	VCKYCY1HB102K	AA		C	Capacitor(50WV 1000pF) [C50,C63,C89,C91,C103]
	VCKYCY1HB102K	AA		C	Capacitor(50WV 1000pF) [C104,C105,C106,C107,C115]
	VCKYCY1HB102K	AA		C	Capacitor(50WV 1000pF) [C116,C117,C118,C119,C125]
46	VCKYCY1HF104Z	AA		C	Capacitor(50WV 0.10μF) [C3,C44,C51,C53,C56,C57]
	VCKYCY1HF104Z	AA		C	Capacitor(50WV 0.10μF) [C59,C62,C65,C67,C68,C69]
	VCKYCY1HF104Z	AA		C	Capacitor(50WV 0.10μF) [C70,C71,C73,C75,C78,C82]
	VCKYCY1HF104Z	AA		C	Capacitor(50WV 0.10μF) [C85,C86,C90,C96,C97,C98]
	VCKYCY1HF104Z	AA		C	Capacitor(50WV 0.10μF) [C99,C101,C102,C108,C110]
	VCKYCY1HF104Z	AA		C	Capacitor(50WV 0.10μF) [C111,C113,C114,C121,C122]
	VCKYCY1HF104Z	AA		C	Capacitor(50WV 0.10μF) [C123,C124,C135]
47	VCKYTV1HB103K	AB		C	Capacitor(50WV 0.010μF) [C134]
48	VCKYTV1HF104Z	AA		C	Capacitor(50WV 0.10μF) [C129]
49	VCQYNA1HM333K	AA		C	Capacitor(50WV 0.033μF) [C126]
50	VHD1SR1544001	AB		B	Diode(1SR1544001) [D12,D13]
51	VHD1SR159// -1	AF		B	Chip diode(1SR159-200) [D15,D16]
52	VHD1SS355// -1	AB		B	Diode(1SS355) [D1,D4,D5,D6,D7,D8,D9]
	VHD1SS355// -1	AB		B	Diode(1SS355) [D10,D11,D18,D19,D20]
53	VHDCP301// -1	AL		B	Diode(CP301) [BD1]
54	VHDRB060L// -1	AK		B	Diode(RB060L40) [D17]
55	VHDRB160L60 -1	AF		B	Diode(RB160L-60) [D14]
56	VHEPTZ30B+ -1	AG		B	Zener diode(PTZ30B) [ZD2]
57	VHEPTZ6.2A -1	AH		B	Zener diode(PTZ6.2A) [ZD3]
58	VHEUDZ5.1B -1	AC		B	Zener diode(UDZ5.1B) [ZD1]
59	VHi29F80T9N -1	BD	N	B	F-ROM(MBM29F800TA-90PFTN) [IC4]
60	VHi30802SGP -1	BL	N	B	CPU(M30802SGP) [IC1]

6 Main PWB unit

NO.	PARTS CODE	PRICE RANK	NEW MARK	PART RANK	DESCRIPTION
61	VHi6284LLT7-1	BN		B	4M S-RAM(HY628400ALLT2-70) [IC5,IC9]
62	VHi74HC138DR/	AK		B	IC(SN74HC138DR) [IC6,IC14,IC27]
63	VHi74LV00APW1	AE		B	IC(74LV00A) [IC2]
64	VHi74LV08APW1	AE		B	IC(74LV08A) [IC7]
65	VHi74LVC14A-1	AE		B	IC(SN74LVC14A) [IC22]
66	VHiBA00ASFP-1	AR		B	IC(BA00ASFP) [IC15]
67	VHiBA10393F-1	AC		B	IC(BA10393F) [IC17,IC8]
68	VHiFS781BZB-1	AP		B	IC(FS781BZB) [IC3]
69	VHiHiN211CA-1	AN		B	IC(HIN211CA) [IC23,IC24]
70	VHiKIA431F/-1	AK		B	IC(KIA431F) [IC19]
71	VHiKIA7045F-1	AL		B	IC(KIA7045) [IC28]
72	VHiLM2574-ADJ	AU		B	IC(LM2574HVN-ADJ) [IC25]
73	VHiPQ1CG2032F	AL		B	IC(PQ1CG2032FZ) [IC26]
74	VHiSMA7036M-1	BA		B	IC(SMA7036M) [IC18,IC20]
75	VHiSN74HC02DR	AH		B	IC(74HC02) [IC21]
76	VHiSN74HC245D	AL		B	IC(SN74HC245D) [IC16]
77	VHiSN74HC273D	AN		B	IC(74HC273DW) [IC12]
78	VHiSN74HC374D	AL		B	IC(SN74HC374D) [IC13]
79	VRG-ST2EJ100J	AC		B	Fuse resistor(1/4W 10Ω ±5%) [R156]
80	VRS-CY1JD000J	AA		C	Resistor(1/16W 0Ω ±5%) [R74,R176]
81	VRS-CY1JD101J	AA		C	Resistor(1/16W 100Ω ±5%) [R41,R42,R44,R45,R46,R52]
	VRS-CY1JD101J	AA		C	Resistor(1/16W 100Ω ±5%) [R137,R138,R139,R140,R142]
	VRS-CY1JD101J	AA		C	Resistor(1/16W 100Ω ±5%) [R146,R147,R148,R149,R150,R172]
82	VRS-CY1JD102F	AA		C	Resistor(1/16W 1KΩ ±1%) [R123,R134,R163]
83	VRS-CY1JD102J	AA		C	Resistor(1/16W 1.0KΩ ±5%) [R116,R118,R128,R145,R175]
84	VRS-CY1JD103F	AB		C	Resistor(1/16W 10KΩ ±1%) [R99]
85	VRS-CY1JD103J	AA		C	Resistor(1/16W 10KΩ ±5%) [R1,R2,R3,R4,R5,R6,R7,R8]
	VRS-CY1JD103J	AA		C	Resistor(1/16W 10KΩ ±5%) [R9,R10,R11,R12,R13,R14]
	VRS-CY1JD103J	AA		C	Resistor(1/16W 10KΩ ±5%) [R15,R16,R17,R18,R19,R20]
	VRS-CY1JD103J	AA		C	Resistor(1/16W 10KΩ ±5%) [R25,R26,R27,R28,R29,R30]
	VRS-CY1JD103J	AA		C	Resistor(1/16W 10KΩ ±5%) [R31,R32,R43,R47,R48,R49]
	VRS-CY1JD103J	AA		C	Resistor(1/16W 10KΩ ±5%) [R50,R51,R53,R56,R57,R58]
	VRS-CY1JD103J	AA		C	Resistor(1/16W 10KΩ ±5%) [R59,R60,R62,R63,R64,R65]
	VRS-CY1JD103J	AA		C	Resistor(1/16W 10KΩ ±5%) [R66,R67,R75,R76,R77,R78]
	VRS-CY1JD103J	AA		C	Resistor(1/16W 10KΩ ±5%) [R79,R87,R88,R89,R90]
	VRS-CY1JD103J	AA		C	Resistor(1/16W 10KΩ ±5%) [R91,R92,R93,R94,R104]
	VRS-CY1JD103J	AA		C	Resistor(1/16W 10KΩ ±5%) [R106,R108,R109,R127]
	VRS-CY1JD103J	AA		C	Resistor(1/16W 10KΩ ±5%) [R153]
86	VRS-CY1JD104J	AA		C	Resistor(1/16W 100KΩ ±5%) [R115,R119]
87	VRS-CY1JD122F	AB		C	Resistor(1/16W 1.2KΩ ±1%) [R159]
88	VRS-CY1JD123J	AA		C	Resistor(1/16W 12KΩ ±5%) [R72,R111]
89	VRS-CY1JD151J	AA		C	Resistor(1/16W 150Ω ±5%) [R162]
90	VRS-CY1JD153J	AA		C	Resistor(1/16W 15KΩ ±5%) [R132]
91	VRS-CY1JD163F	AA		C	Resistor(1/16W 16KΩ ±1%) [R122]
92	VRS-CY1JD181J	AA		C	Resistor(1/16W 180Ω ±5%) [R161]
93	VRS-CY1JD182J	AA		C	Resistor(1/16W 1.8KΩ ±5%) [R151,R152]
94	VRS-CY1JD183F	AA		C	Resistor(1/16W 18KΩ ±1%) [R112]
95	VRS-CY1JD183J	AA		C	Resistor(1/16W 18KΩ ±5%) [R143,R144,R158]
96	VRS-CY1JD203J	AA		C	Resistor(1/16W 20KΩ ±5%) [R130]
97	VRS-CY1JD222J	AA		C	Resistor(1/16W 2.2KΩ ±5%) [R70,R155]
98	VRS-CY1JD223F	AA		C	Resistor(1/16W 22KΩ ±1%) [R157]
99	VRS-CY1JD223J	AA		C	Resistor(1/16W 22KΩ ±5%) [R82]
100	VRS-CY1JD241J	AA		C	Resistor(1/16W 240KΩ ±5%) [R121]
101	VRS-CY1JD242F	AA		C	Resistor(1/16W 2.4KΩ ±1%) [R110]
102	VRS-CY1JD272J	AA		C	Resistor(1/16W 2.7KΩ ±5%) [R97]
103	VRS-CY1JD302F	AA		C	Resistor(1/16W 3KΩ ±1%) [R160]
104	VRS-CY1JD330J	AA		C	Resistor(1/16W 33Ω ±5%) [R33,R34,R35,R36,R37,R38]
	VRS-CY1JD330J	AA		C	Resistor(1/16W 33Ω ±5%) [R39,R40]
105	VRS-CY1JD331J	AA		C	Resistor(1/16W 330Ω ±5%) [R61]
106	VRS-CY1JD332J	AA		C	Resistor(1/16W 3.3KΩ ±5%) [R86]
107	VRS-CY1JD362F	AA		C	Resistor(1/16W 3.6KΩ ±1%) [R126]
108	VRS-CY1JD471J	AA		C	Resistor(1/16W 470Ω ±5%) [R85]
109	VRS-CY1JD472J	AA		C	Resistor(1/16W 4.7KΩ ±5%) [R113,R114,R117,R141]
110	VRS-CY1JD473J	AA		C	Resistor(1/16W 47KΩ ±5%) [R54,R55,R68,R69,R73]
	VRS-CY1JD473J	AA		C	Resistor(1/16W 47KΩ ±5%) [R83,R154,R166,R167]
	VRS-CY1JD473J	AA		C	Resistor(1/16W 47KΩ ±5%) [R168,R169,R170,R171]
111	VRS-CY1JD562J	AA		C	Resistor(1/16W 5.6KΩ ±5%) [R129,R107]
112	VRS-CY1JD563J	AA		C	Resistor(1/16W 56KΩ ±5%) [R98]
113	VRS-CY1JD622F	AA		C	Resistor(1/16W 6.2KΩ ±1%) [R100]
114	VRS-CY1JD912F	AA		C	Resistor(1/16W 9.1KΩ ±1%) [R96,R120,R133]
115	VRS-TE2HF1R0F	AD		C	Resistor(1/2W 1Ω ±1%) [R124,R125,R135,R136]
116	VRS-TV2AB392J	AD		C	Resistor(1/10W 3.9KΩ ±5%) [R95]
117	VS2SC2412K/-1	AB		B	Transistor(2SC2412K) [Q1]
118	VS2SD2143+/-1	AC	N	B	Transistor(2SD2143) [Q4,Q5]
119	VS2SK2731/-1	AD		B	Transistor(2SK2731) [Q3]
120	VSKTD998///-1	AS		B	Transistor(2SD998) [Q6]
121	VSMTD2955V+/-1	AQ		B	Transistor(MTD2955V) [Q2]
122	XBPSD30P06000	AA		C	Screw(3×6) [Q6(Q6,IC26aYIEOp)]
	50;				
901	CPWBN3026BH01	CC	N	E	Main PWB unit

7 Key I/F PWB unit

NO.	PARTS CODE	PRICE RANK	NEW MARK	PART RANK	DESCRIPTION
1	QCNCW2946BHZZ	AL		C	Key relay connector(40p)(52045-4045) [CN4]
2	QCNCW3105BHZZ	AF	N	C	Key connector(9P)(2223S-09) (ER-A520)[CN2-1]
3	QCNCW3106BHZZ	AF	N	C	Key connector(11P)(2223S-11) (ER-A530)[CN2]
4	QCNCW3107BHZZ	AG	N	C	Key connector(18P)(2223S-18) [CN1]
5	QCNCW6882BH1A	AG		C	Connector(11P)(52011-1110)(ST TYPE) [CN3]
6	QCNCW7201BH1E	AK		C	Connector(15P)(52806-1510) [CN5]
7	RC-KZ1054CCZZ	AB		C	Capacitor(50WV 0.1μF) [C2,C3,C5,C6]
8	VCEAGA1CW106M	AA		C	Capacitor(16WV 10μF) [C1]
9	VCKYPU1HB101K	AA		C	Capacitor(50WV 100PF)(VCKYPA1HB101K) [C4]
10	VHDDSS133HV-1	AA		B	Diode(DSS133HV) [D1,D2,D3,D4,D6,D7,D8,]
	VHDDSS133HV-1	AA		B	Diode(DSS133HV) [D9,D10,D11,D12,D13,D14,]
	VHDDSS133HV-1	AA		B	Diode(DSS133HV) [D15,D16,D17,D18,D19,D20]
	VHDDSS133HV-1	AA		B	Diode(DSS133HV) (ER-A530)[D5]
11	VHiKiD65083AP	AM		B	IC(KID65083AP) [IC4]
12	VHiSN74HC138N	AL		B	IC(74HC138) [IC1,IC2,IC3]
13	VRD-RC2EY121J	AA		C	Resistor(1/4W 120Ω ±5%) [R20,R21,R22,R23,R24,R25,]
	VRD-RC2EY121J	AA		C	Resistor(1/4W 120Ω ±5%) [R26]
	VRD-RC2EY123J	AA		C	Resistor(1/4W 12KΩ ±5%) [R13,R14,R15,R16,R17,R18,]
14	VRD-RC2EY123J	AA		C	Resistor(1/4W 12KΩ ±5%) [R19]
	VRD-RC2EY473J	AA		C	Resistor(1/4W 47KΩ ±5%) [R1,R2,R3,R4,R5,R6,R7,R8,]
15	VRD-RC2EY473J	AA		C	Resistor(1/4W 47KΩ ±5%) [R9,R10,R11,R12]
	VSKRA101M// -1	AD		B	Transistor(KRA101M) [Q8,Q9,Q10,Q11,Q12,Q13,]
16	VSKRA101M// -1	AD		B	Transistor(KRA101M) [Q14]
	VSKTA1271// -1	AE		B	Transistor(KTA1271)(VS2SA1271-/-1) [Q1,Q2,Q3,Q4,Q5,Q6,Q7]
901	50; CPWBF3027BH01	BC	N	E	Key I/F PWB unit [ER-A520]
	CPWBF3027BH02	BC	N	E	Key I/F PWB unit [ER-A530]

8 CN I/F PWB unit

NO.	PARTS CODE	PRICE RANK	NEW MARK	PART RANK	DESCRIPTION
1	QCNCM2551RC1J	AF		C	Connector(10pin) [CN4]
2	QCNCW3100BHZZ	AK	N	C	Connector(31P)(MLX52044-3145) [CN1]
3	QSOCN2328BHZZ	AH		C	D-SUB Connector(DBR50-09K1300) [CN2,CN3]
4	RCORF2337BHZZ	AN		C	Ferrite core(BFR601009C8NG) [FB23]
5	RCORF7002BHZZ	AE		C	Chip core(EFCB322513TS) [FB1,FB2,FB3,FB4,FB5,FB6,]
	RCORF7002BHZZ	AE		C	Chip core(EFCB322513TS) [FB7,FB8,FB9,FB10,FB11,]
	RCORF7002BHZZ	AE		C	Chip core(EFCB322513TS) [FB12,FB13,FB14,FB15,FB16,]
	RCORF7002BHZZ	AE		C	Chip core(EFCB322513TS) [FB17,FB18,FB19,FB20,FB21,]
	RCORF7002BHZZ	AE		C	Chip core(EFCB322513TS) [FB22]
6	XWSSD30-10000	AB		C	Washer [CN2,CN3]
901	50; CPWBF3028BH01	BB	N	E	CN I/F PWB unit

9 Pop up PWB unit

NO.	PARTS CODE	PRICE RANK	NEW MARK	PART RANK	DESCRIPTION
1	QCNCW7202BH1E	AK		C	Connector(52807-1510) [CN1]
2	VHPLA56S1S20C	AN		B	LED(LA56S1-S2) [LED9]
3	VHPLA56S2S20C	AQ		B	LED(LA56S2-S2) [LED6,LED7,LED8]
4	VRD-RC2EY270J	AA		C	Resistor(1/4W 27Ω ±5%) [R1,R2,R3,R4,R5,R6,R7,R8]
901	50; CPWBF2928BH02	BB		E	Pop up PWB unit

■ Index

PARTS CODE	NO.	PRICE RANK	NEW MARK	PART RANK	
【C】					
CCABB2558BHZZ	1- 20	BF	N	D	
CCABB2559BHZZ	2- 20	BE	N	D	
CCABB7861BHZZ	1- 1	AR		D	
〃	2- 1	AR		D	
CCABM2562BH03	4-506	BQ		E	
CCABM2563BH03	4- 1	BM		D	
CCAS-6682BH01	4-501	BF		E	
CCAS-6690BH02	4-505	BF		E	
CFRM-6682BH02	4-504	AQ		E	
CLOK-6683BH08	4-503	BK		E	
CPLU-6641BH06	4- 15	AY		B	
CPWBF2928BH02	1- 2	BB		E	
〃	2- 2	BB		E	
〃	9-901	BB		E	
CPWBF3027BH01	1- 29	BC	N	E	
〃	7-901	BC	N	E	
CPWBF3027BH02	2- 29	BC	N	E	
〃	7-901	BC	N	E	
CPWBF3028BH01	3- 72	BB	N	E	
〃	8-901	BB	N	E	
CPWBN3026BH01	3- 19	CC	N	E	
〃	6-901	CC	N	E	
【D】					
DKiT-3409BHZZ	11- 11	AP		S	
DKiT-8661BHZZ	11- 13	BS		S	
DKiT-8662BHZZ	11- 14	BZ		S	
DKiT-8663BHZZ	11- 15	BU		S	
DUNT-1306BHZA	4- 42	AX		E	
DUNT-1817BHZZ	1-502	AY		E	
〃	2-502	AY		E	
DUNTK4595RCZZ	1- 6	BM		E	
〃	2- 6	BM		E	
【G】					
GBOXD2344BHZZ	4-901	BY	N	E	
GBOXD2345BHZZ	4-901	BY	N	E	
GCABA7216BHZZ	3- 25	BK	N	D	
GCAS-6682BHZZ	4- 12	AZ		D	
GCAS-6690BHZZ	4- 57	BA		D	
GCAS-6691BHZZ	4- 43	AT		D	
GCOVA2514BHZA	1- 25	BA		D	
〃	2- 25	BA		D	
GCOVA2608BHZZ	1- 5	AS	N	D	
〃	2- 5	AS	N	D	
GCOVA7104BHZA	3- 41	AX		D	
GCOVA7105BHSA	3- 22	AL		D	
GCOVA7107BHSC	3- 23	AH		D	
GCOVA7146BHZZ	4- 32	AV		D	
GCOVB2517BHZZ	2- 39	BC		D	
GCOVB2518BHZZ	2- 42	AX		D	
GCOVB7108BHZZ	11- 2	BA		S	
GCOVB7109BHZZ	11- 3	BF		S	
GCOVB7110BHSD	11- 4	BH	N	S	
GCOVH2609BHZZ	1- 67	AL	N	D	
〃	2- 67	AL	N	D	
GCOVH7106BHZZ	3- 45	AU		D	
GDRW-6680BHZZ	4- 31	BE		D	
GDRW-6682BHZZ	4-502	BH		E	
【H】					
HPNLC6829BHSM	1- 19	AN	N	D	
HPNLC6829BHSN	2- 19	AN	N	D	
HPNLC6829BHSO	1- 19	AN	N	D	
HPNLC6829BHSP	2- 19	AN	N	D	
HPNLH2501BHZZ	1- 4	AX	N	D	
〃	2- 4	AX	N	D	
【J】					
JKNBZ6896BHZA	11-503	AG		S	
〃	1- 43	AG		C	
JKNBZ6897BHSA	11-502	AH		S	
〃	1- 42	AH		C	
JKNBZ6898BHZZ	11-515	AH		S	
〃	1- 40	AH		C	
JKNBZ6899BHSA	11-514	AK		S	
〃	1- 39	AK		C	
JKNBZ6900BHZA	11-525	AN		S	
JKNBZ6901BHSA	11-524	AN		S	
JKNBZ6902BHSA	11- 16	AH		S	
JKNBZ6903BHSA	11- 17	AR		S	
JKNBZ6905BHZZ	1- 41	AF		C	

PARTS CODE	NO.	PRICE RANK	NEW MARK	PART RANK	
JKNBZ6907BHZZ	1- 41	AK		C	
JKNBZ6908BHZZ	1- 41	AK		C	
JKNBZ6909BHZZ	1- 41	AK		C	
JKNBZ6911BHZZ	1- 41	AK		C	
JKNBZ6912BHZZ	1- 41	AK		C	
JKNBZ6913BHZZ	1- 41	AK		C	
JKNBZ6914BHZZ	1- 41	AK		C	
JKNBZ6915BHZZ	1- 41	AK		C	
JKNBZ6916BHZZ	1- 41	AK		C	
JKNBZ6917BHZZ	1- 41	AK		C	
JKNBZ6918BHZZ	1- 41	AK		C	
JKNBZ6919BHZZ	1- 41	AK		C	
JKNBZ6920BHZZ	1- 41	AK		C	
【K】					
Ki-OB2009BHZZ	3- 31	CA		E	
Ki-OK2012BHZA	2-501	BK		E	
Ki-OK2368BH03	1-501	BP	N	E	
【L】					
LANGT7466BHZE	3- 73	AP	N	C	
LANGT7582BHZZ	1- 38	AL		C	
〃	2- 38	AL		C	
LBNDJ2003SCZZ	3- 8	AA		C	
LBNDJ6636BHZZ	3- 3	AD		C	
LBRC-6666BHZZ	4- 6	AQ		C	
LCHSM6704BHZA	3- 39	AZ		C	
LFRM-2363BHZA	2- 44	AX		D	
LFRM-6682BHZZ	4- 22	AN		D	
LFRM-6683BH01	4- 16	AV		D	
LFRM-6697BHZZ	1- 44	BA		D	
LHLDW0006SCZZ	3- 10	AB		C	
LHLDW0024BHZZ	4- 58	AG		C	
LHLDZ6836BHZZ	11-511	AE		S	
〃	11-522	AE		S	
〃	1- 50	AE		C	
LHLDZ6837BHZZ	11-512	AE		S	
〃	11-523	AE		S	
〃	1- 49	AE		C	
LKGIM7110BHZZ	1- 34	AE		B	
〃	2- 34	AE		B	
〃	5- 10	AE		B	
LKGIM7111BHZZ	1- 34	AE		B	
〃	2- 34	AE		B	
〃	5- 10	AE		B	
LKGIM7113RCZZ	11-101	AK		S	
LKGIM7126BHZZ	11- 1	AX		S	
LKGIM7129BHZZ	1- 34	AE		B	
〃	2- 34	AE		B	
〃	5- 10	AE		B	
LKGIM7331BHZZ	4- 35	AE		B	
〃	5- 9	AE		B	
LKGIM7356BHZZ	1- 28	AK		B	
〃	2- 28	AK		B	
〃	5- 8	AK		B	
LKGiW0001BHZA	1- 35	AS		B	
〃	2- 35	AS		B	
LKGiW7330BHZZ	4- 33	AM		B	
LKGiW7355BHZZ	1- 27	AX		B	
〃	2- 27	AX		B	
LPLTM2363BHZZ	2- 47	AU		C	
LPLTM6674BHZZ	4- 37	AY		D	
LPLTM6698BHZZ	1- 47	AV		C	
LPLTP2362BHZZ	3- 37	AR		C	
LX-BZ1085CCZZ	3- 2	AA		C	
LX-BZ2189BHZZ	6- 1	AA		C	
LX-BZ6775BHZZ	4- 17	AA		C	
LX-BZ6776BHZZ	4- 13	AA		C	
LX-BZ6778BHZZ	4- 59	AA		C	
LX-BZ6782BHZZ	3- 74	AA		C	
【M】					
MCAMM6633BHZA	4- 21	AE		C	
MLEVF6695BHZZ	4- 8	AK		C	
MLEVP6715BHZZ	3- 32	AF		C	
MSPRB6722BHZZ	4- 40	AC		C	
MSPRC6712BHZZ	4- 27	AF		C	
MSPRK6718BHZZ	4- 36	AF		C	
MSPRK6730BHZZ	1- 26	AC		C	
〃	2- 26	AC		C	
MSPRT6713BHZZ	4- 18	AD		C	
MSPRT6714BHZZ	4- 7	AE		C	
【N】					
NGERH2004BHZZ	5- 19	AM		C	

PARTS CODE	NO.	PRICE RANK	NEW MARK	PART RANK
NRÖLP6650BHZA	4- 28	AL		C
"	4- 4	AL		C
NRÖLP6656BHZZ	3- 36	AF		C
[P]				
PCUSG7017BHZZ	3- 71	AC		C
PCUSS2419BHZZ	1- 61	AH		C
PCUSS2421BHZZ	1- 56	AC		C
"	2- 56	AC		C
PfiLW2006BHSA	1- 24	AV		D
"	2- 24	AV		D
PfiLW6961BHSL	1- 3	AQ	N	D
"	2- 3	AQ	N	D
PgidH2394BHZZ	5- 20	AK		C
PGUMM2442BHZZ	2- 45	BA		C
PGUMM6695BHZZ	4- 3	AE		C
PGUMM6696BHZZ	4- 25	AE		C
"	4- 44	AE		C
PGUMM6724BHZZ	1- 45	AY		C
PRDAF2374BHZZ	6- 2	AM		C
PRDAF2385BHZZ	6- 3	AM	N	C
PRNGT6637BHZZ	4- 34	AA		C
PSHEK2930BHZA	10- 5	AG		S
PSHEK3328BHZZ	10- 3	AR	N	S
"	2- 40	AR	N	C
PSHEK3329BHZZ	10- 4	AH	N	S
"	2- 41	AH	N	C
PSHEP2925BHZZ	1- 51	AR		C
PSHEP2928BHZZ	1- 52	AF		C
"	2- 52	AF		C
PSHEP2934BHZZ	2- 51	AU		C
PSHEP2939BHZZ	1- 66	AG		C
"	2- 66	AG		C
PSHEP6681BHZZ	5- 3	AF		C
PSKR-6628BHZZ	4- 11	AG		C
[Q]				
QACCD2002BHZZ	3- 1	AT		B
QCNCM1101BHZZ	6- 4	AC		C
QCNCM2551RC1J	8- 1	AF		C
QCNCM3099BHZZ	6- 5	AD	N	C
QCNCM3104BHZZ	6- 6	AB	N	C
QCNCM5278NCZZ	6- 7	AC		C
QCNCM7207BH4J	6- 8	AQ		C
QCNCW2885BHZZ	6- 9	AQ		C
QCNCW2946BHZZ	6- 10	AL		C
"	7- 1	AL		C
QCNCW3100BHZZ	8- 2	AK	N	C
QCNCW3103BHZZ	6- 11	AB	N	C
QCNCW3105BHZZ	7- 2	AF	N	C
QCNCW3106BHZZ	7- 3	AF	N	C
QCNCW3107BHZZ	7- 4	AG	N	C
QCNCW5111BH3A	6- 12	AH	N	C
QCNCW6882BH1A	7- 5	AG		C
QCNCW7081BHZZ	6- 13	AB		C
QCNCW7201BH1E	7- 6	AK		C
QCNCW7202BH1E	9- 1	AK		C
QCNCW-3117BHZZ	1- 36	AG		C
"	2- 36	AG		C
QCNCW-3137BHZZ	1- 57	AE		C
"	2- 57	AE		C
QCNCW-3188BHZZ	1- 62	AR		C
"	2- 62	AR		C
QCNCW-3362BHZZ	1- 8	AS	N	C
"	2- 8	AS	N	C
QCNCW-3373BHZZ	1- 16	AP	N	C
"	2- 16	AP	N	C
QCNCW-7122RCZZ	3- 28	AD		C
QCNCW-7752BHZZ	3- 18	AH		C
QCNCW-7768BHZZ	3- 4	AE		C
QCNCW-7807BHZZ	3- 75	AN		C
QCNCW-7880BHZZ	3- 70	AF		C
QCNCW-7898BHZZ	3- 29	AP		C
QCNCW-7904BHZZ	3- 20	AE		C
QFS-B0322QCZZ	6- 14	AC		A
QFSHD2109AFZZ	6- 15	AC		C
QFS-K2005BHZZ	6- 16	AF		A
QFS-K2007BHZZ	6- 17	AF		A
QFS-K2008BHZZ	6- 18	AF		A
QFS-K2009BHZZ	6- 19	AF		A
QFS-K2315BHZZ	6- 20	AF		A
QSOCN2328BHZZ	8- 3	AH		C
QSÖCZ2042SC32	6- 21	AE		C

PARTS CODE	NO.	PRICE RANK	NEW MARK	PART RANK
QSW-M6872BHZZ	4- 14	AR		B
QTANP0004BHZA	3- 11	AE		C
[R]				
RALMB6646BHZZ	6- 22	AQ		B
RC-EZ106ARC1A	6- 23	AD		C
RC-EZ226ARC1C	6- 35	AG		C
RCiLC6653BHZZ	6- 24	AS		C
RC-KZ1054CCZZ	7- 7	AB		C
RCÖRF2337BHZZ	6- 25	AN		C
"	8- 4	AN		C
RCÖRF6696BHZZ	3- 9	AL		C
RCÖRF6700BHZZ	5- 13	AS		C
RCÖRF7002BHZZ	6- 26	AE		C
"	8- 5	AE		C
RCRSP6676RCZZ	6- 27	AG		B
RCRSZ2400RCZZ	6- 28	AH		B
RTRNP2436BHZZ	3- 7	BE		B
[S]				
SPAKA3158BHZR	5- 4	AR		D
SPAKA3159BHZZ	5- 2	AR		D
SPAKA8256BHZZ	4- 38	AC		D
SPAKC3157BHS	5- 1	BC	N	D
SPAKC3157BHSi	5- 1	BC	N	D
SPAKC3157BHSJ	5- 1	BC	N	D
SPAKC3157BHSK	5- 1	BC	N	D
SSAKH3012CCZZ	5- 7	AA		D
SSAKH3015CCZZ	5- 11	AA		D
SSAKH4231CCZZ	5- 5	AA		D
[T]				
TCADH6788BHZA	5- 6	AC		D
TCAUZ2002BHZZ	3- 24	AF		D
TINSE2529BHZZ	5- 12	AQ	N	D
TINSK2530BHZZ	5- 12	AT	N	D
TLABH2699BHZZ	1-101	AY	N	D
TLABH6999BHZZ	11-513	AV		S
TLABH7000BHZZ	11-521	AV		S
TLABH7003BHZZ	11-501	AV		S
TPAPR6656RC05	10- 1	BA		S
TPAPR6657RC05	10- 2	BD		S
[U]				
UBATZ6661BHZZ	3- 69	AS		B
UBNDA6630BHZZ	5- 21	AK		C
[V]				
VCCCY1HH101J	6- 29	AA		C
VCCCY1HH180J	6- 30	AA		C
VCCCY1HH270J	6- 31	AA		C
VCCCY1HH330J	6- 32	AA		C
VCCCY1HH331J	6- 33	AB		C
VCCCY1HH471J	6- 34	AA		C
VCEAGA1CW106M	6- 36	AA		C
"	7- 8	AA		C
VCEAGA1CW226M	6- 37	AB		C
VCEAGA1CW337M	6- 38	AB		C
VCEAGA1CW476M	6- 39	AB		C
VCEAGA1HW106M	6- 40	AA		C
VCEAGA1HW227M	6- 41	AC		C
VCEAGD1CW108M	6- 42	AE		C
VCEAGU1HC688M	6- 43	AY		C
VCEAGU1VW228M	6- 44	AG		C
VCKYCY1HB102K	6- 45	AA		C
VCKYCY1HF104Z	6- 46	AA		C
VCKYPU1HB101K	7- 9	AA		C
VCKYTV1HB103K	6- 47	AB		C
VCKYTV1HF104Z	6- 48	AA		C
VCQYNA1HM333K	6- 49	AA		C
VHD1SR1544001	6- 50	AB		B
VHD1SR159//--1	6- 51	AF		B
VHD1SS355//--1	6- 52	AB		B
VHDCP301//--1	6- 53	AL		B
VHDDSS133HV-1	7- 10	AA		B
VHDRB060L//--1	6- 54	AK		B
VHDRB160L60-1	6- 55	AF		B
VHEPTZ30B+--1	6- 56	AG		B
VHEPTZ6.2A//--1	6- 57	AH		B
VHEUDZ5.1B//--1	6- 58	AC		B
VHi29F80T9N-1	6- 59	BD	N	B
VHi30802SGP-1	6- 60	BL	N	B
VHi6284LLT7-1	6- 61	BN		B
VHi74HC138DR/	6- 62	AK		B
VHi74LV00APW1	6- 63	AE		B
VHi74LV08APW1	6- 64	AE		B

SHARP

COPYRIGHT © 2004 BY SHARP CORPORATION

All rights reserved.

Printed in Japan.

No part of this publication may be reproduced,
stored in a retrieval system, or transmitted.

In any form or by any means,
electronic, mechanical, photocopying, recording, or otherwise,
without prior written permission of the publisher.

SHARP CORPORATION
Information and Communication Systems Group
Products Quality Assurance Department
Yamatokoriyama, Nara 639-1186, Japan

2004 May Printed in Japan (t)